

Please throw it out the service manual for AV-14JT5EU/EBU&AV-21JT5EU/EBU issued in May. 2000,and use this service manual (No.51721 Oct. 2000).

AV-21JT5EU / AV-21JT5EUB AV-14JT5EU / AV-14JT5EUB STANDARD CIRCUIT DIAGRAM

■ NOTE :

1. RESISTANCE IS SHOWN IN OHM. K=1000, M=1000000
2. UNLESS OTHERWISE NOTED IN SCHEMATIC ALL CAPACITOR VALUES ARE EXPRESSED IN μ F
3. VOLTAGES READ WITH "VTVM" FROM POINT INDICATED TO CHASSIS GROUND USING A COLOR BAR SIGNAL WITH ALL CONTROLS AT NORMAL LINE 230V AC VOLTAGE READINGS SHOWN ARE NORMAL VALUES AND MAY VARY +20% EXCEPT H.V
4. THIS CIRCUIT DIAGRAM IS A STANDARD ONE CIRCUIT PRINTED MAY BE SUBJECT TO CHANGE FOR PRODUCT IMPROVEMENT WITHOUT PRIOR NOTICE.

■ WARNING :

BEFORE SERVICING THE CHASSIS, READ "X-RAY RADIATION", "SAFETY PRECAUTION", AND "PRODUCT SAFETY NOTICE" IN SERVICE MANUAL.

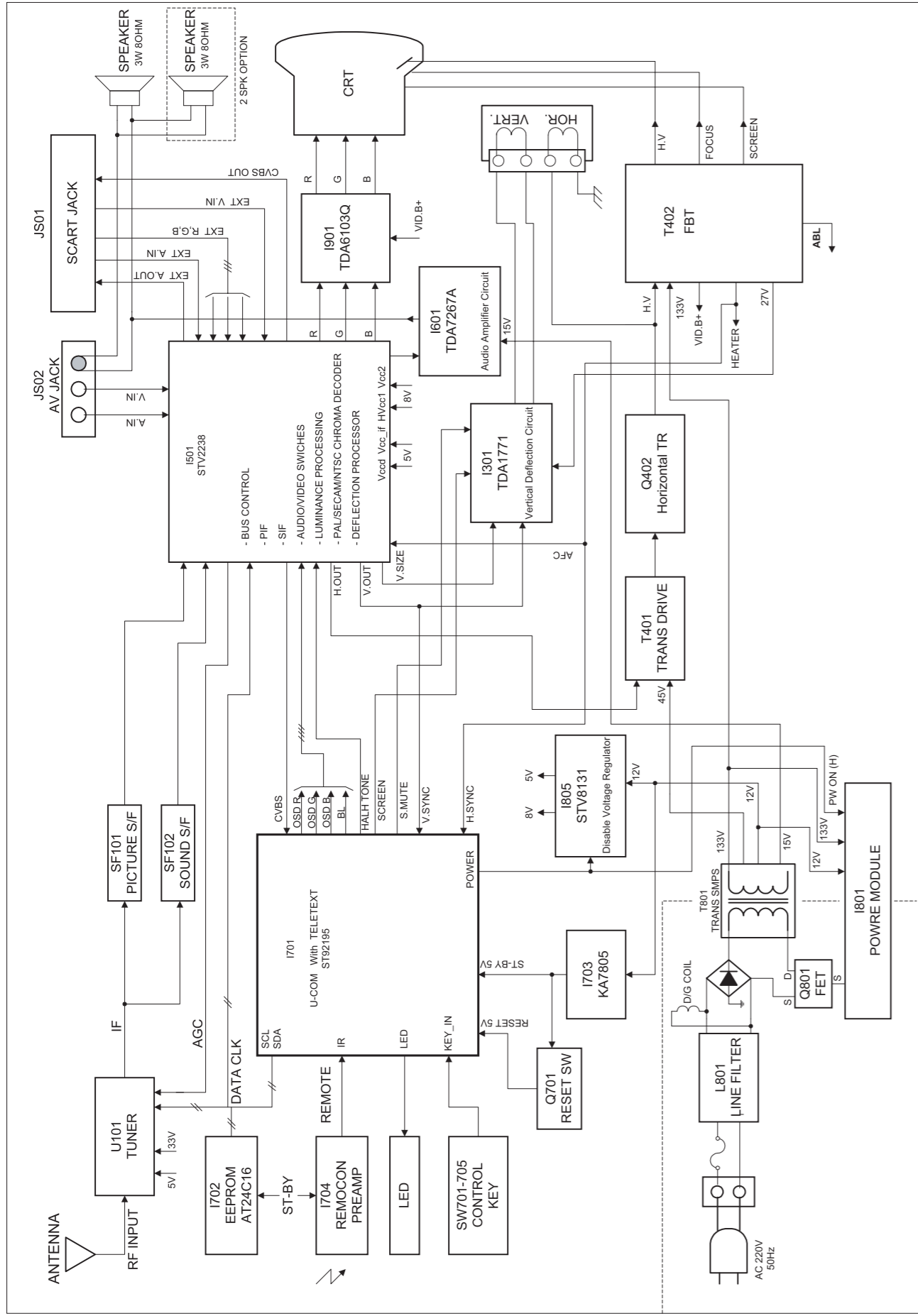
■ PRODUCT SAFETY NOTE :

COMPONENTS MARKED WITH Δ ARE IMPORTANT FOR MAINTAINING.
THE SAFETY OF THE SET AND SHOULD BE REPLACED ONLY WITH TYPES IDENTICAL TO THOSE IN THE ORIGINAL OR SPECIFIED ONE IN THE PARTS LIST.
DON'T DEGRADE THE SAFETY THROUGH IMPROPER SERVICING.

CONTENTS

- BLOCK DIAGRAM 2-2
- CIRCUIT DIAGRAM 2-3
- PATTERN DIAGRAMS 2-5

BLOCK DIAGRAM



DIFFERENCE LIST

SYMBOL	AV-14JT5EU	AV-14JT5EUB	AV-21JT5EU	AV-21JT5EUB
△ CRT (I.T.C.)		4859608640		4859629360C
△ DEG COIL		58G0000084		58G0000074
PWB ASSY	PTMPMSA616J	PTMPMSA618J	PTMPMSD616J	PTMPMSD618J
R401	x			1W 2.7K
△ R403		2W 4.3		2W 2.2
R809		1/4 10K		1/4 36K
RC301		1/10 360		1/10 510
RC302		1/10 2.4K		1/10 2.2K
RC304		1/10 2.7K		1/10 3K
RC405		1/10 3.6K		1/10 5.6K
RC406		x		1/10 5.6K
RC529		1/10 270		1/10 100
RC530		1/10 270		1/10 100
RC531		1/10 270		1/10 100
RC822		1/10 130K		1/10 27K
RC902		1/10 3K		1/10 2.7K
RC903		1/10 3K		1/10 2.7K
RC904		1/10 3K		1/10 2.7K
C304		50V 22		50V 10
C401		200V 0.36		200V 0.18
△ C404		1.6KV 6900P		1.6KV 6600P
C407		x		500V 560P
L402		x		58H0000052
D816		DTZX3V9B--		DMTZJ10B--
J008		JUMPER		x
J137		JUMPER		x
△ CRT SOCKET		4859303430		4859303530
SF101	5PG3962M--	5PK7257M--	5PG3962M--	5PK7257M--
I701	1DW195DE5Q	1DW195CR3Q	1DW195DE5Q	1DW195CR3Q

